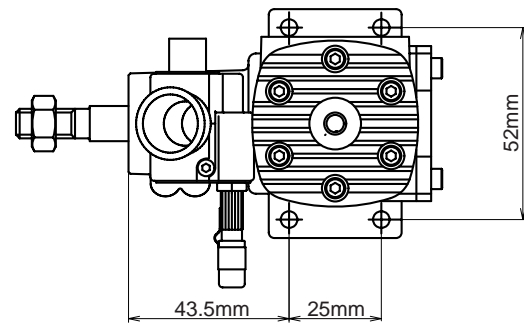


OPERATOR'S MANUAL

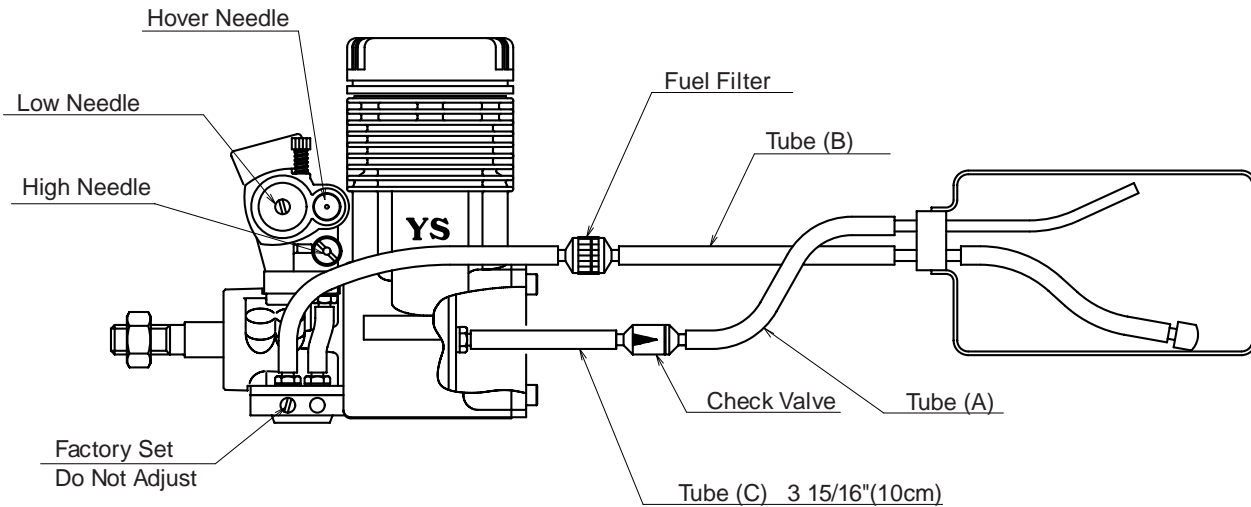
61ST-2 (Helicopter Engine/ Part No.YS0057)

Fig.1



SPECIFICATIONS

Bore	24mm
Stroke	22mm
Displacement	9.95cc
Weight	540g
Practical rpm	2,000 ~18,000



FEATURES

The YS 61ST-2 is the 2nd generation of the ST series. Designed from the ground up, the 61ST-2 will meet all your helicopter competition needs. The 61ST-2 incorporated many features from the 61ST and more

- New short stroke piston and liner design
- New Carburetor with low end adjustment
- New Pressurized regulated and fuel injection system
- New 3 independent needle system

Besides that add more power and you have an unbeatable performer.

INSTALLATION

1. The fuel lines should be connected to the fuel tank as shown in the above figure. Be careful to install the check valve in the correct direction. Since the tank is exposed to high pressures, be sure that all connections are tight to prevent pressures leakage.
2. Since the engine is sensitive to dirt in the fuel, a fuel filter must be used. (We recommend the YS1195 fuel filter.)
3. Tube(C) should be set exactly at 3 15/16" or (10cc) between the engine and check valve. DO NOT use any other type of check valve. The check valve is designed exclusively for the 61ST.

4. Adjust your throttle linkage and curve using the alignment indentations on the carburetor body located on the throttle arm side of the carb body. PLEASE NOTE that the hover position is at 40% see FIG 2.

START UP

1. Always remove Tube(A) at the check valve first before fueling. The fuel tank is pressurized and you need to relieve the pressure first. Disconnect Tube-b at the filter and fill the tank. Reconnect Tube(A) and (B).
2. From the fully closed (clockwise) position, turn the needle valves counter clockwise as follows.

STARTING SETTINGS / OPERATING SETTINGS

Hover	1.75open	1.75 ~1.50
Low	1.25open	0.75 ~0.50
Full	1.5open	1.25 ~0.75

3. Close the throttle to the idle position and connect the glow plug driver. The engine is now ready for starting.

BREAK-IN

It is not necessary to mount this engine on a set stand for break-in. However, the engine should be adjusted slightly on the rich setting for the first few flights to insure proper break-in. Always use a good quality fuel which contain 15 ~30% nitromethane and an oil content of 20 ~23% low viscosity oil.

NEEDLE VALVE ADJUSTMENT

Idle, Hover and High needle valves all work the same way. Turning the needles clockwise will lean the fuel mixtures and counter clockwise will richen the fuel mixtures.

1. Set needles as described in START-UP.
2. Start the engine and check idle. Adjust as needed.
3. Lift helicopter into a hover and check for the correct rotor RPM recommended by the kit manufacture. Once this is done take note of the amount of smoke being produced by the muffler. The mixture is correct for hover when there is a steady stream of smoke being produced.
4. Land the helicopter for approximately 20~30 seconds. Lift the helicopter into a hover again taking note of the transition from idle to hover. If the engine exhibits a large amount of smoke and the throttle response is sluggish, you will need to adjust the idle and or the hover needle leaner to achieved a smooth transition. If the engine detonates and the smoke is inconsistent or a small amount is produced, the mixture is to lean.
5. The high speed needle refines the fuel mixture for forward flights without affecting the hovering adjustment. After the engine is started and warmed up, lift off into a hover and check that the engine is running smooth with a good trail of smoke. If everything is fine, open the throttle and enter forward flight. Take note of the amount of smoke like we did in a hover adjustment. It is correct when you see a noticeable steady smoke trail. Adjust the high-speed needle valve to obtain slightly rich but consistent setting.

STOPPING THE ENGINE

1. Fully close the throttle barrel to stop the engine.
2. As soon as the engine stops running, be sure that a fuel line clamp is used in Tube-B to prevent fuel from flowing into the engine.
3. On the final flight of the day, the fuel line clamp should be used to stop the engine in order to prevent rust and corrosion.

FUEL AND GLOW PLUG

We have found that the fuel and glow plugs listed below will give the best engine performance.

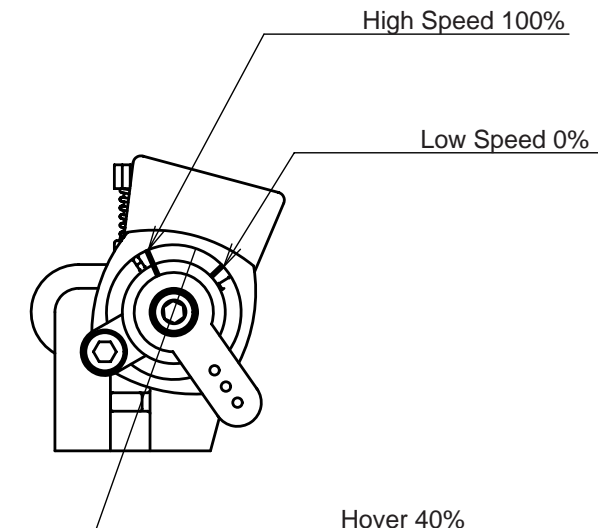
Fuel
Powermaster 30% Special Heli Blend
Cool Power 30% Special Heli Blend

Glow Plug
Enya #3
OS #8
OS-A3

IMPORTANT!

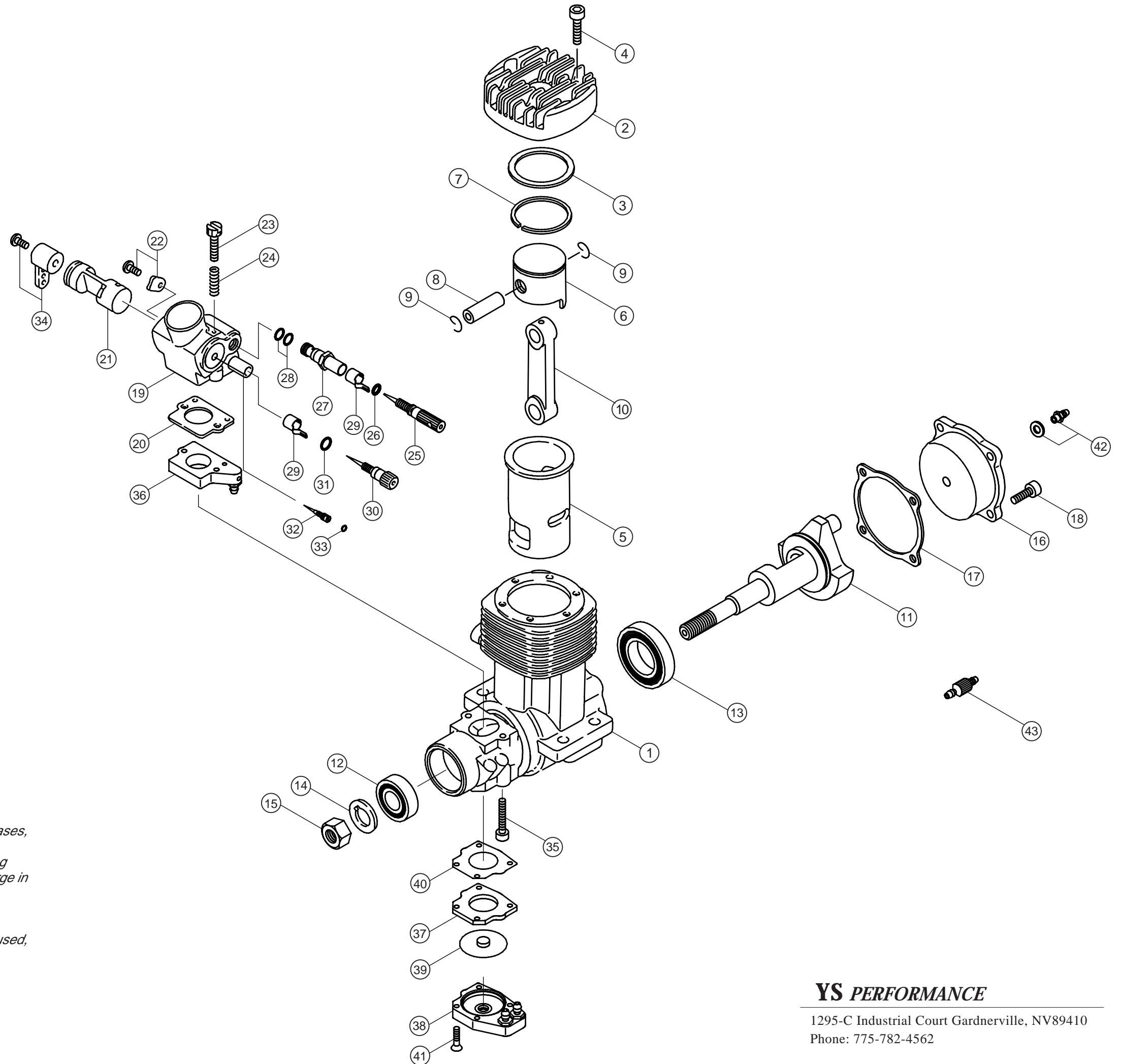
Silicone rubber is used in many parts of the YS engine. Use only glow fuel of methanol for cleaning. Gasoline and other volatile solutions will damage silicone if used.

Fig.2



YS 61ST2-H Parts List

#	PART#	DESCRIPTION	QTY
1	YS4105	Crankcase	1
2	YS2360	Cylinder Head	1
3	YS2420	Head Gasket	1
4	YS1015	Head Screws	6
5	YS4110	Cylinder Liner	1
6	YS4115	Piston	1
7	YS2380	Piston Ring	1
8	YS2385	Wrist Pin	1
9	YS1030	Wrist Pin Retainer	2
10	YS4120	Con Rod	1
11	YS4125	Crankshaft	1
12	YS1050	Front Bearing	1
13	YS2430	Rear Bearing	1
14	YS1220	Drive Washer Spacer	1
15	YS0490	Propeller Nut	1
16	YS2400	Back Plate	1
17	YS1065	Back Plate Gasket	1
18	YS1070	Back Plate Screw	4
19	YS4130	Carburetor Body	1
20	YS1080	Carburetor Gasket	1
21	YS4135	Throttle Barrel	1
22	YS1090	Throttle Barrel Retainer	1
23	YS1095	Throttle Stop Screw / Spring	1
25	YS2690	Hover Needle Valve	1
26	YS2695	Hover Needle O Ring	1
27	YS2700	Hover Needle Seat	1
28	YS2705	Hover Needle Seat O Ring	2
29	YS2710	Needle Detent	1
30	YS4140	High Speed Needle	1
31	YS1240	High Speed Needle O Ring	1
32	YS4145	Low Speed Needle	1
33	YS4150	Low Speed Needle O Ring	1
34	YS0200	Throttle Arm	1
35	YS2435	Carburetor Screws	2
36	YS2440	Carburetor Subplate	1
38	YS4155	Regulator Assembly	1
39	YS2460	Diaphragm	1
40	YS2480	Regulator Gasket	1
42	YS3036	Nipple / Washer	1
43	YS2510	Check Valve	1
	YS2515	Gasket Set	3
	YS4160	O Ring Set	5
	YS4165	Piston / Ring / Liner Set	1
	YS4170	Carburetor Assembly	1
	YS2740	Needle Valve Assembly	1



WARRANTY

Strict quality control is implemented by our factory in all phases, from parts manufacturing to final assembly. If performance deteriorates or a part fails due to a manufacturing error, YS performance will repair or replace the engine at no charge in the period of one year from date of purchase.

Warranty does not cover normal maintenance.

Should the engine be modified, incorrectly assembled or abused, there will be a normal charge for parts and labor.

YS PERFORMANCE

1295-C Industrial Court Gardnerville, NV89410
Phone: 775-782-4562